

THE MILLER

Update 2.22

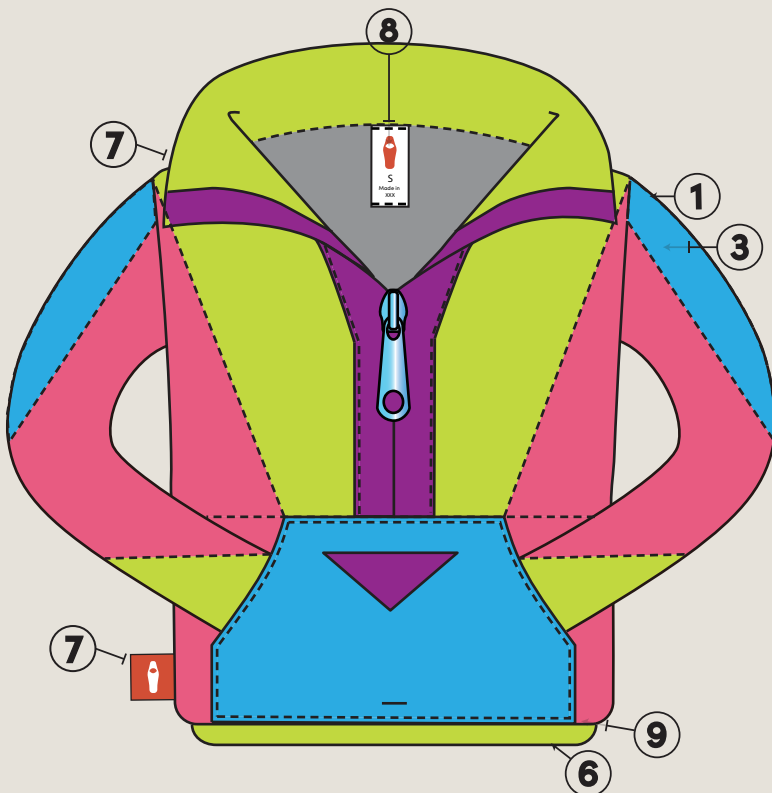
TECH PACK



THE MILLER

Update 2.22

CMF.1



① BODY FABRIC



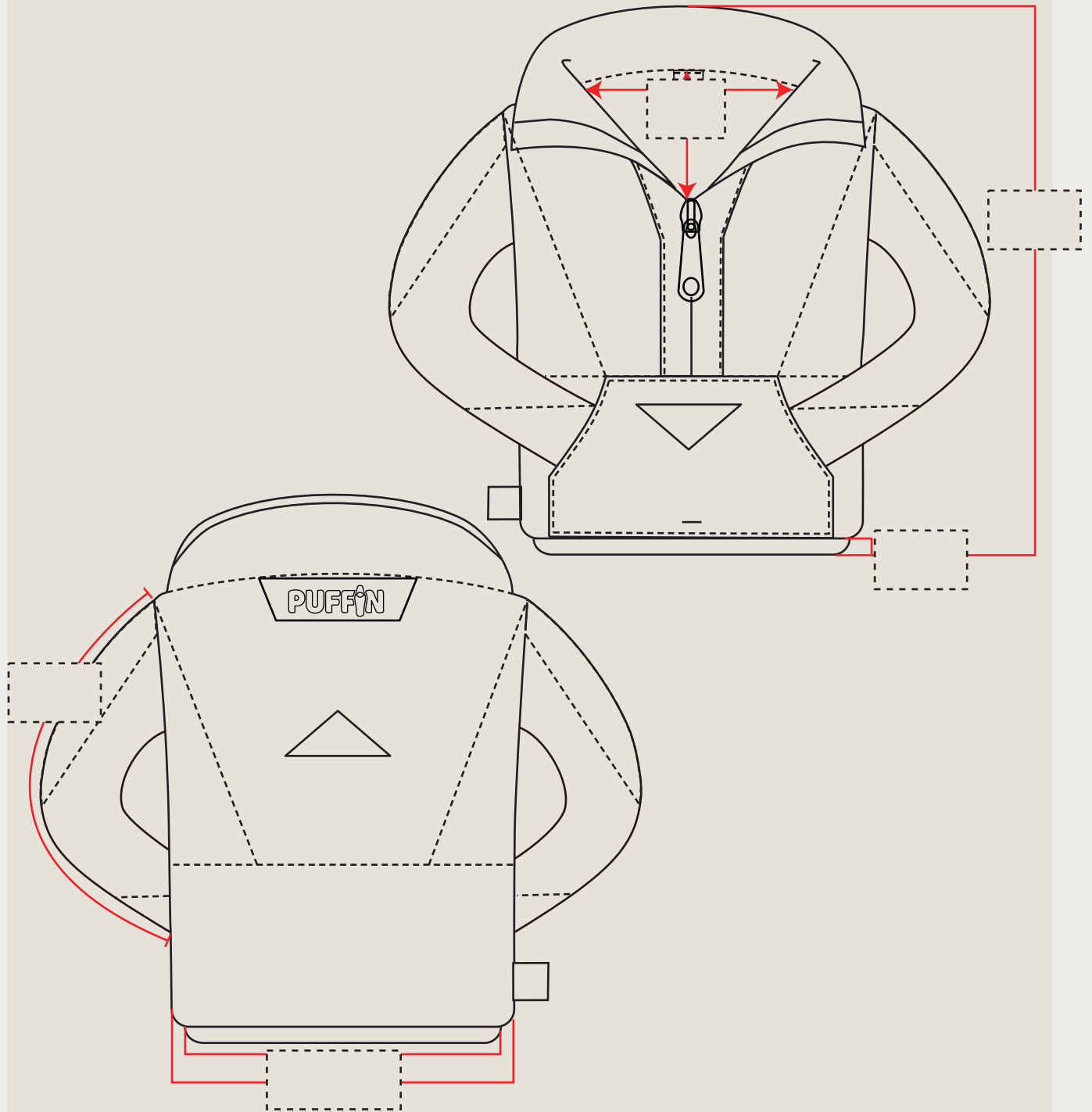
Product image shown for reference only and not 100% color accurate



THE MILLER

Update 2.22

BODY DIMS



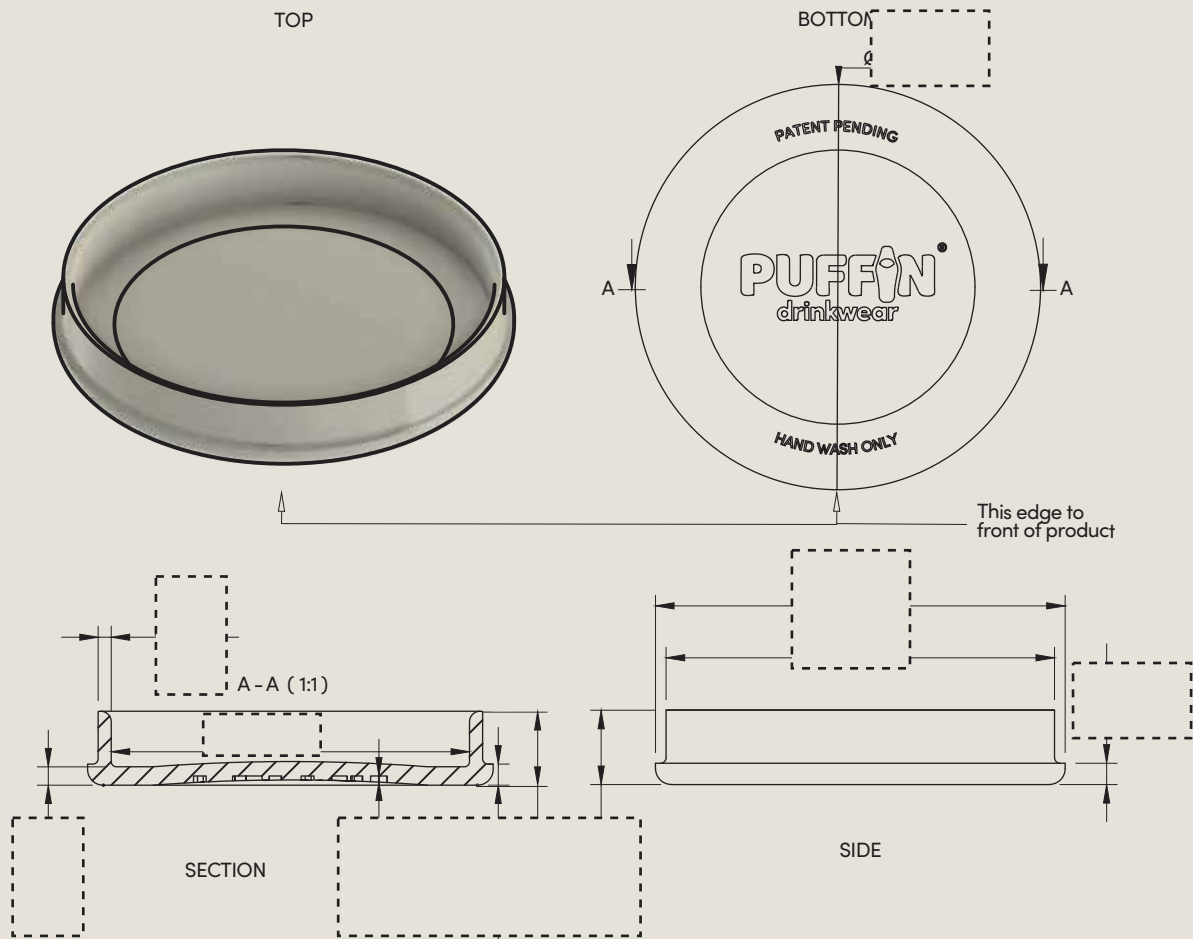
70% Scale
Acceptable Tolerance Level: +/- 2 mm



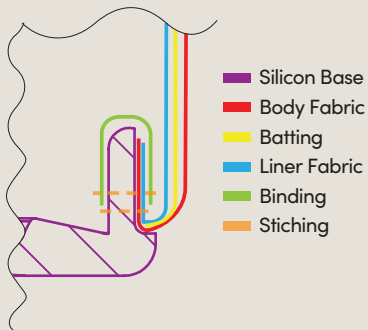
THE MILLER

Update 2.22

BASE DIMS



SECTION 1 - BODY TO BASE ASSEMBLY



CAD FILE AVAILABLE UPON REQUEST

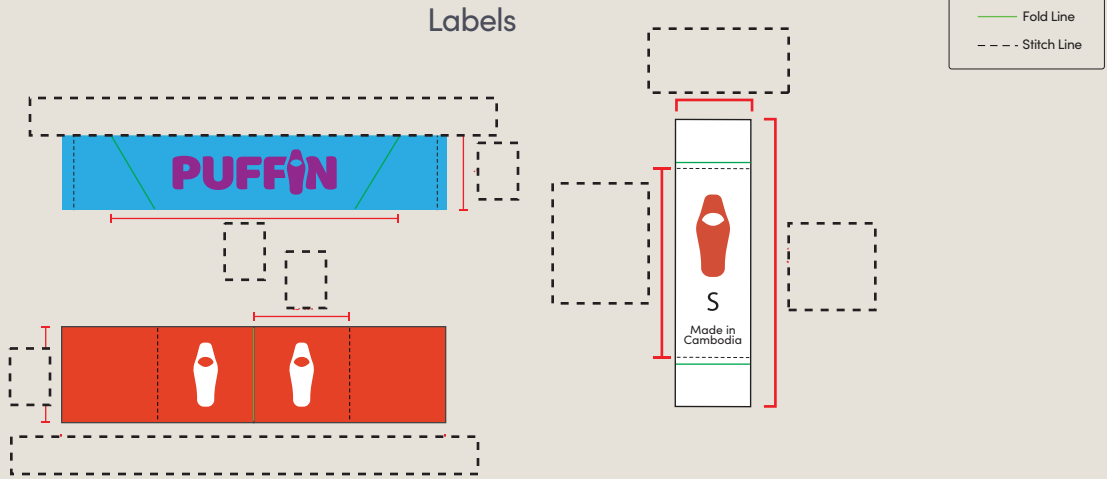


THE MILLER

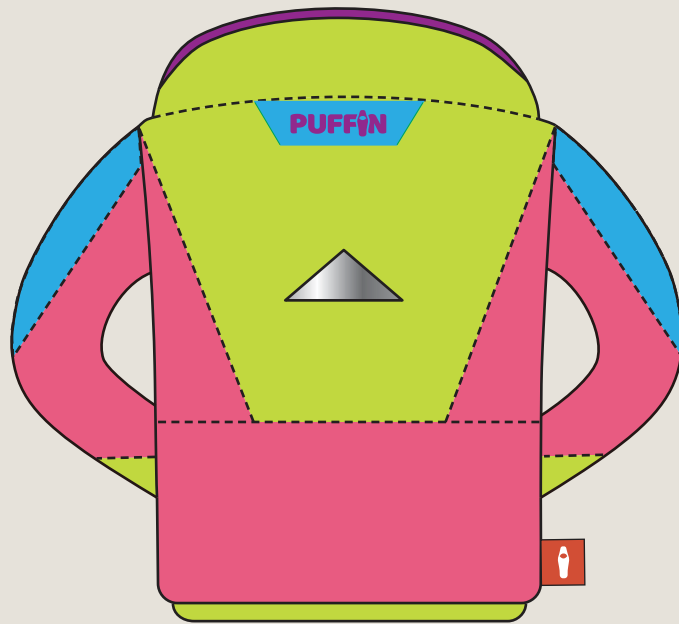
Update 2.22

ART.1

Labels



Back



100% TO SCALE